

STEP 1 - Check Box for Qualifying Nightforce Rifle Scope

ATACR
 C597 - ATACR 1-8x24 F1 - FC-DM reticle

NX8
 C598 - NX8 1-8x24 F1 - FC-Mil reticle
 C600 - NX8 1-8x24 F1 - FC-MOA reticle

Serial Number _____

STEP 2 - Check Box for Choice of Unimount (choose one)

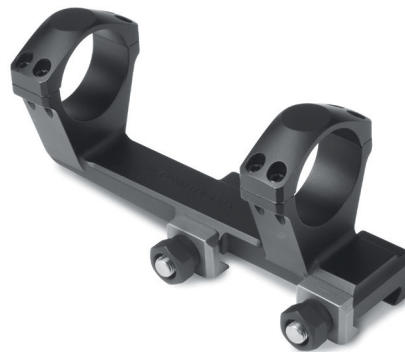
34mm X-Treme Duty Unimount Models Available
 A497 - Unimount 1.5" - 0 MOA - 34mm
 A257 - Unimount 1.44" - 20 MOA - 34mm
 A194 - Extended Unimount 1.44" - 20 MOA - 34mm

30mm X-Treme Duty Unimount Models Available
 A496 - Unimount 1.5" - 0 MOA - 30mm
 A190 - Unimount 1.125" - 20 MOA - 30mm
 A191 - Unimount 1.375" - 20 MOA - 30mm
 A192 - Extended Unimount 1.375" - 20 MOA - 30mm

Unimount Example



Extended Unimount Example



STEP 3 - Check Box When Complete

Include original receipt or paid invoice. (No exceptions, please maintain a photocopy for your personal records/warranty information.)

Include original packaging box label end. (Make sure this includes model number, serial number and UPC code for serial number verification)

STEP 4 - Personal Information

Make sure all information is completed below. PLEASE PRINT CLEARLY

Name _____

Mailing Address _____

City _____ State _____ Zip _____ Phone _____

Email _____

Check if you would like to opt out of receiving news and additional offers from Nightforce.

STEP 5 - Submit

Mail this completed form with all applicable documents to:

**Unimount Promotion
Nightforce Optics
336 Hazen Lane
Orofino, ID 83544**

MUST BE POSTMARKED BY MARCH 15, 2019

NIGHTFORCE® | 1-8x Unimount Upgrade Promotion

Qualifying Nightforce Riflescopes SKUs:

ATACR

C597 - ATACR 1-8x24 F1 - FC-DM reticle

NX8

C598 - NX8 1-8x24 F1 - FC-Mil reticle

C600 - NX8 1-8x24 F1 - FC-MOA reticle

Complimentary X-Treme Duty Unimount Models Available: (choose one)

A497 - Unimount 1.5" - 0 MOA - 34mm

A257 - Unimount 1.44" - 20 MOA - 34mm

A194 - Extended Unimount 1.44" - 20 MOA - 34mm

A496 - Unimount 1.5" - 0 MOA - 30mm

A190 - Unimount 1.125" - 20 MOA - 30mm

A191 - Unimount 1.375" - 20 MOA - 30mm

A192 - Extended Unimount 1.375" - 20 MOA - 30mm

Eligibility:

- Customer must be at least 18 years of age where legally required.
- Purchase made in the United States with a U.S. dealer, and mount must ship to a U.S. address.
- Customer must comply with all federal, state, and local laws for redemption.

Redemption Process

Purchase of one of the select models of new, in-box riflescopes must be between **December 1, 2018**, and **January 31, 2019**. No exceptions. Purchase date is determined by the invoice date or sales receipt date.

- The purchase of a qualifying new Nightforce rifle scope must be from an authorized Nightforce dealer.
- One complimentary Nightforce X-Treme Duty Unimount (MSRP \$260) per qualifying purchase; no limit to the number of times you can take advantage of the offer. Customer must submit a separate verification form and other required documentation for each individual rifle scope and rifle redemption. No exceptions.
- This offer is not valid for any used or resale riflescopes. No exceptions.
- To redeem the offer, the customer must send the following to Nightforce to the address provided below:
 1. Completed redemption form
 2. Original cash register receipt(s) or invoice (no lay-away) from an authorized Nightforce dealer (keep a photocopy for your records and warranty information)
 3. Cut/clip entire Nightforce packaging box label end that displays the product information, with all attached labels this includes optic model number, optic serial number, and UPC code intact - **DO NOT PEEL LABELS FROM BOX - CUT/CLIP ENTIRE BOX LABEL END** (torn, destroyed, or illegible labeling will not be accepted).
 4. All required items must be **postmarked no later than March 15, 2019**. No exceptions. Forms, documents, and information provided become the property of Nightforce and will not be returned.

Mail to:

**Unimount Promotion
Nightforce Optics
336 Hazen Lane
Orofino, ID 83544**

- The redemption form must be filled out completely. A physical address must be provided for shipping, no PO Boxes. Selection of Unimount model is limited to eligible SKUs on redemption form.
- Upon verification by Nightforce of purchase, customer will be notified by email only, using the email address provided on the redemption form.
- The Nightforce X-Treme Duty Unimount will be shipped at Nightforce's expense.
- This offer is valid for U.S. sales only. Void where prohibited by law.
- Nightforce is not responsible for any late, lost, misdirected and/or postage-due mail.
- **Please allow up to 60 days from receipt of verification form by Nightforce for delivery of the mount.**
- This offer is available only with a retail-price purchase of specified select Nightforce optics models; industry pricing, Experticity sales, discount programs or other discount purchases are not eligible.
- It is purchaser's responsibility to ensure that its participation in the 1-8x Unimount Upgrade Promotion is carried out in compliance with all applicable local, state, province, and federal laws. For further redemption process instructions please refer to the redemption form that can be obtained from either an authorized Nightforce Optics dealer, or visit NightforceOptics.com to download a mail-in form.
- For questions regarding the redemption process, please call: 208.476.9814 or email us at: promotions@nightforceoptics.com